

DTC

Global Quality Benchmark

HINGES AND DRAWER RUNNERS Third Largest Global Manufacturer



- 30+ Years
- 650,000 m²
- 6 Factories

Lifetime Warranty & Great Value



LGA Certification
EN Standard



U.S. KCMA



TUV Certification



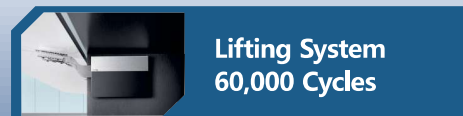
Hinge
200,000 Cycles



Slide
100,000 Cycles



Drawer
80,000 Cycles



Lifting System
60,000 Cycles

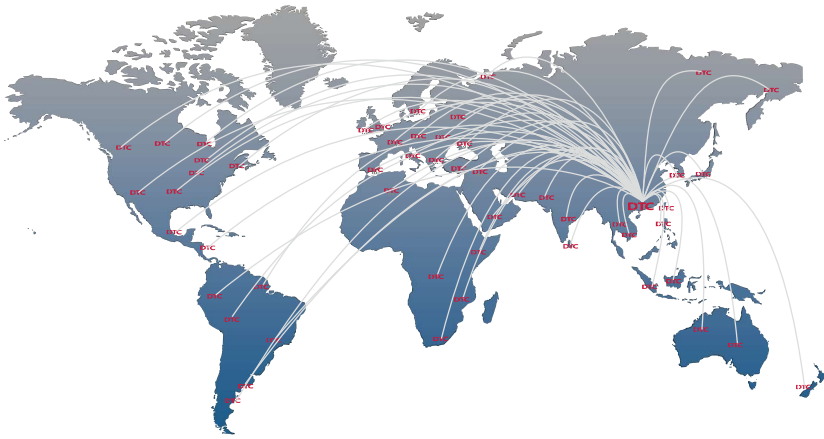


DTC GROUP
INDUSTRY ROAD, LELIU PORT, LELIU, SHUNDE, FOSHAN, GUANGDONG, CHINA
+86(0)757-25332283
WWW.DTCDTC.COM DTC@DTCDTC.COM

A Global Sales Network

DTC

Global Quality Benchmark



130+ Countries
800+ Distributors
2000+ Sales Points

Huge Capacity & Customized Solution



Production
50 containers
per day



Patents
1248



Technical Staff
258



**In-house tooling
and machinery**

Well Known Brands Partners

We have long-term partnerships with many well-known global furniture and home brands. These partnerships, with companies generating billions in annual sales, such as one of the largest cabinet manufacturers in the USA (with annual sales of 2.73 billion USD) and other industry leaders with sales ranging from 1.27 billion USD to over 150 billion USD, demonstrate that we are a reliable supplier.

Other partners include:

- A European cabinet group (annual sales of 1.27 billion USD)
- A leading French group (annual sales of 668 million EUR)
- A leading European bathroom furniture manufacturer, with 115 years of experience
- One of the largest global retailers (annual sales of 86.38 billion USD)
- A global leader in home improvement retail (annual sales of 152.67 billion USD)
- A famous furniture retailer (annual sales of 44.6 billion EUR)
- The largest DIY retailer in Europe (annual sales of 3.8 billion GBP)
- A group with 400 companies across 86 countries (annual sales of 20.4 billion EUR)



DTC GROUP

INDUSTRY ROAD, LELIU PORT, LELIU, SHUNDE, FOSHAN, GUANGDONG, CHINA

+86(0)757-25332283

WWW.DTCDTC.COM DTC@DTCDTC.COM

Hinge 200,000 Cycles

INTEGRITY TESTING LABORATORIES



CLIENT:

Guangdong Dongtai Hardware
Precision Mfg. Co., Ltd (DTC)
2, He An Industry Rd. 1, Dongfeng,
Leliu, Shunde, Foshan,
Guangdong, China

LABORATORY NO: F2401041-4

DATE: January 15, 2024

CLIENT P.O. email

STANDARDS: ANSI/BHMA 156.9-20
ANSI/KCMA A161.1-22

SAMPLE: ONE CONCEALED HINGE, SELF CLOSE, SOFT CLOSE,
PIVOT-STAR C81 SERIES, ANYWAY SNAP-ON SOFT CLOSE

ABSTRACT

This report serves to document the testing of the above sample to all applicable hinge test paragraphs of ANSI/BHMA A156.9-2020, American national standards for cabinet hardware, and ANSI/KCMA A161.1-2022, American national standards for kitchen and vanity cabinets. We were requested to exceed all performance requirements by **increasing the number of cycles to 200,000 cycles**. The remainder of this report will show how the hinge samples submitted for testing **met the requirements needed for conformance** to the two test standards.



HINGE PIVOT-STAR C81 SERIES

Integrity Testing, 3959 S.W. 12th Court, Ft. Lauderdale, FL 33312 - Phone: (714) 321-0191

This report applies only to the sample or samples submitted for testing and is not necessarily indicative of the quality or condition of apparently identical or similar products. Samples were submitted as received, directly by the client along with all descriptors, names, models, or ID, no sampling procedures were performed by these laboratories. Client provided samples can affect reported results. No external service providers were utilized for the reported determinations. As a mutual protection to clients, the public, or these laboratories, this report is submitted and accepted for the exclusive use of the client to whom it is addressed, and upon that condition that it not be used, in whole or in part, in any advertising or publicity matter without prior written authorization from these laboratories. Where statements of conformity are made in testing reports, the following decision rules are applied: **PASS** - Results within limits/specifications - **FAIL** - Results exceed limits/specifications. All laboratory procedures were performed in compliance with ISO/IEC 17025:2017.

C:\ADrive-Sync\INTEGRITY\Integrity Documents\FURNITURE REPORTS\DTC\F2401041-4 Hinge - PIVOT-STAR C81 - BHMA Gr2-KCMA.docx

Germany TUV/LGA Certified

LGA - Qualitäts - Zertifikat LGA-Quality-Certificate



Genehmigungsinhaber
License Holder

**Guangdong Dongtai Hardware Precision
Manufacturing Co., Ltd**
Industry Road, Leliu Port, Leliu,
Shunde, Foshan
528322 Guangdong
P.R. China

Zertifiziertes Produkt (umseitig näher bezeichnet)
Certified Product (specified overleaf)

Product Name: D-MOTION FULL EXTENSION UNDERMOUNT SLIDES

Prüfzeichen Test Mark



www.lga.info
ID 1111271817

LGA-Qualitäts-Zertifikats-Nr.: LI 50593877 0001
LGA-Quality-Certificate No.

Untersuchungsbericht-Nr.: CN23P28S 001
Test Report No.

Dieses Zertifikat ist gültig bis: 25.09.2028
This certificate is valid till

Geprüft nach Tested acc. to
2 PfG Q2218/03.12
DIN EN 15338/06.10

Datum Date 26.09.2023

Zertifizierungsstelle Certification Body



Kingsley He

Dem Zertifikat liegt unsere Prüf- und Zertifizierungsordnung zugrunde.
This certificate is based on our Testing and Certification Regulations.
Das Produkt entspricht o.g. Anforderungen, die Herstellung wird überwacht.
The product fulfills above mentioned requirements, the production is subject to surveillance.

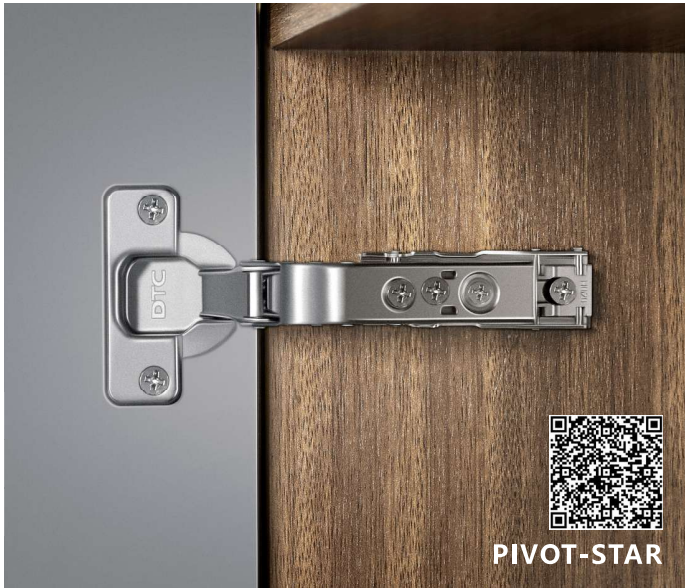
TÜV Rheinland LGA Products GmbH - Tillystraße 2 - 90431 Nürnberg
Tel.: +49 221 806-1371 Fax: +49 221 806-3935 e-mail: cert-validity@de.tuv.com / http://www.tuv.com/safety



Product Recommendation



DTC
Global Quality Benchmark



Product Recommendation

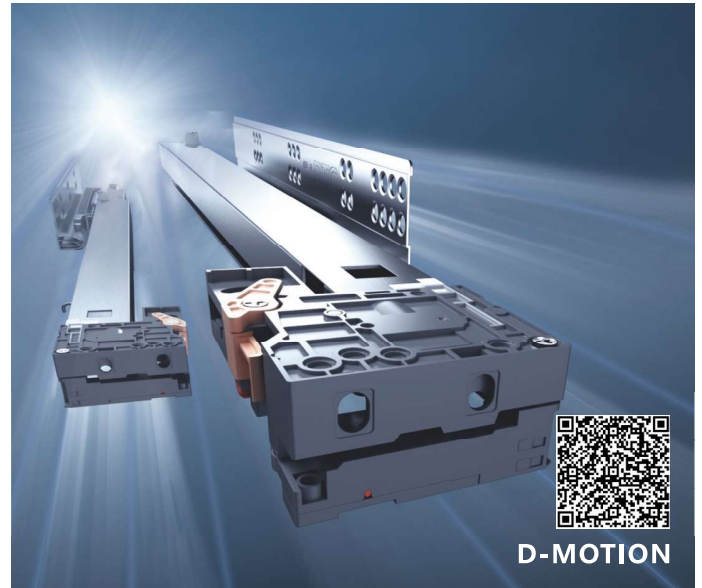


DTC

Global Quality Benchmark



MAGIC-MOVE



D-MOTION



TOP-STAYS SQ



TOP-STAYS ST



PURE-PRO
KITCHEN DRAWER

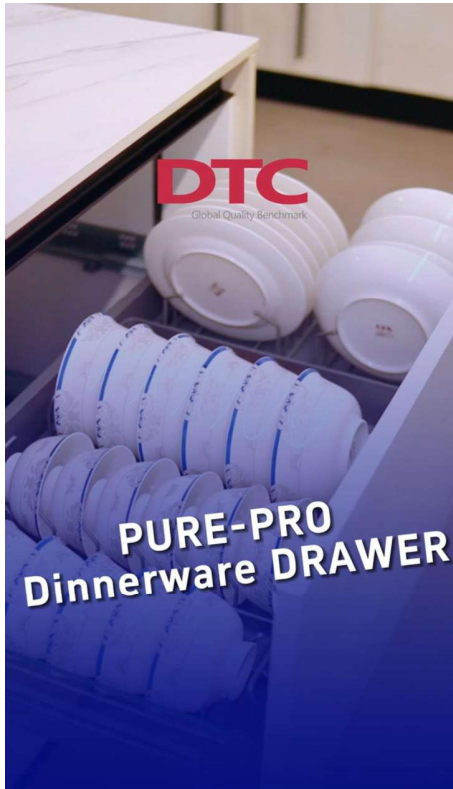


PURE-PRO
WARDROBE DRAWER





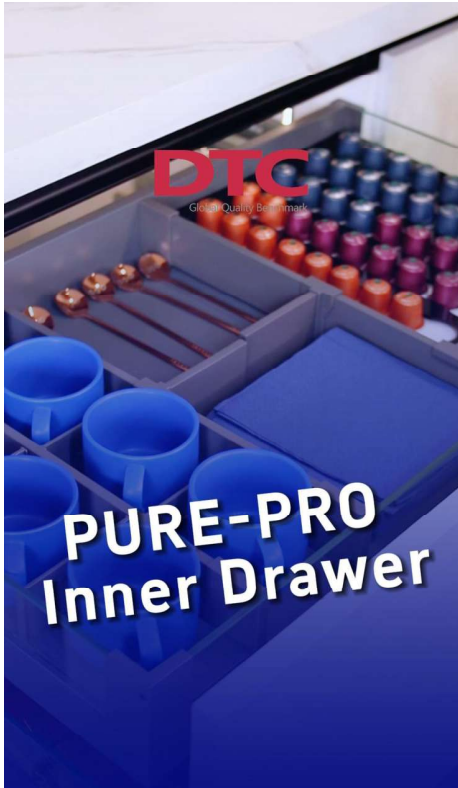
PURE-PRO Narrow Storage Drawer



PURE-PRO Dinnerware DRAWER



PURE-PRO Corner



PURE-PRO Inner Drawer



PURE-PRO Pantry



PURE-PRO Wardrobe Storage Solution



View DTC short videos for social media!



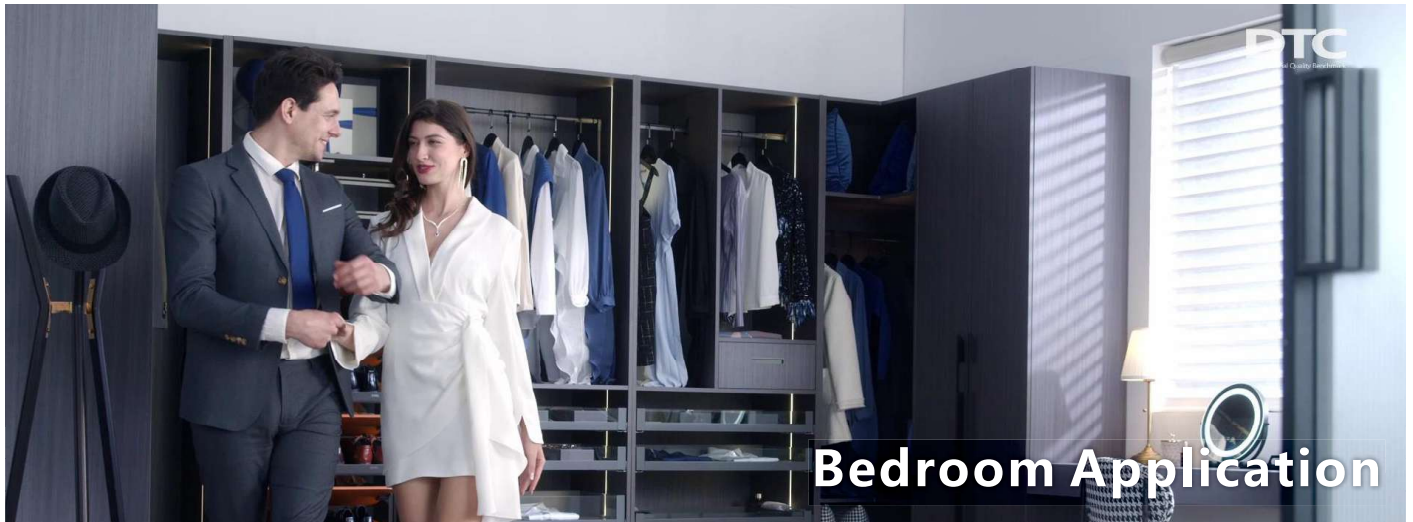
Kitchen Application



Bathroom Application



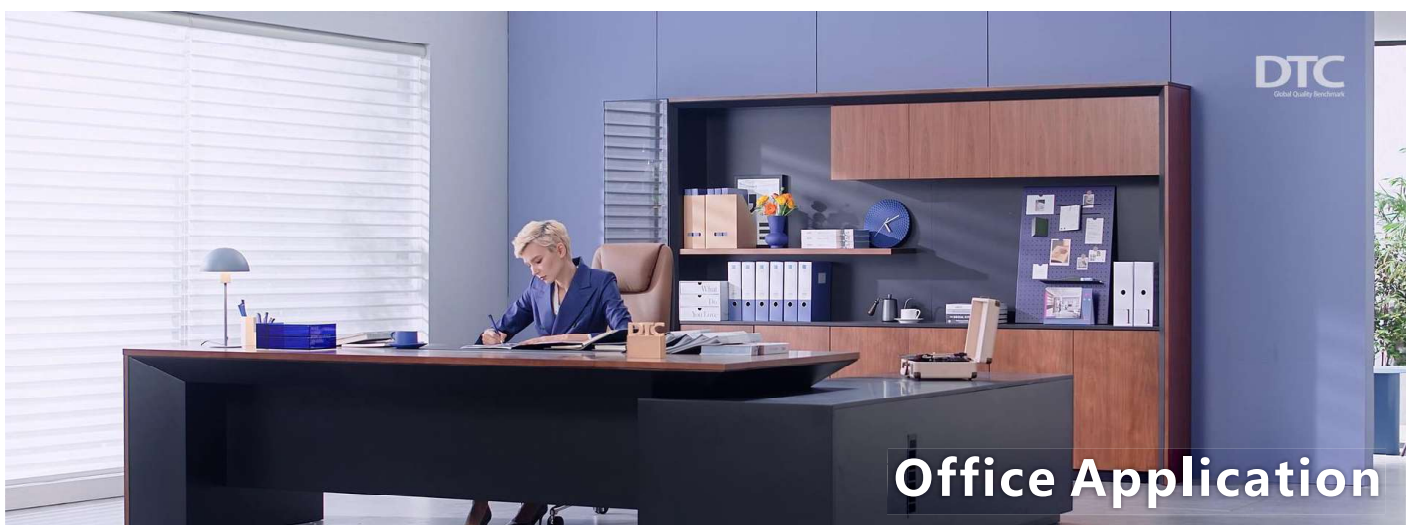
See how people enjoy using DTC products in real life!



Bedroom Application



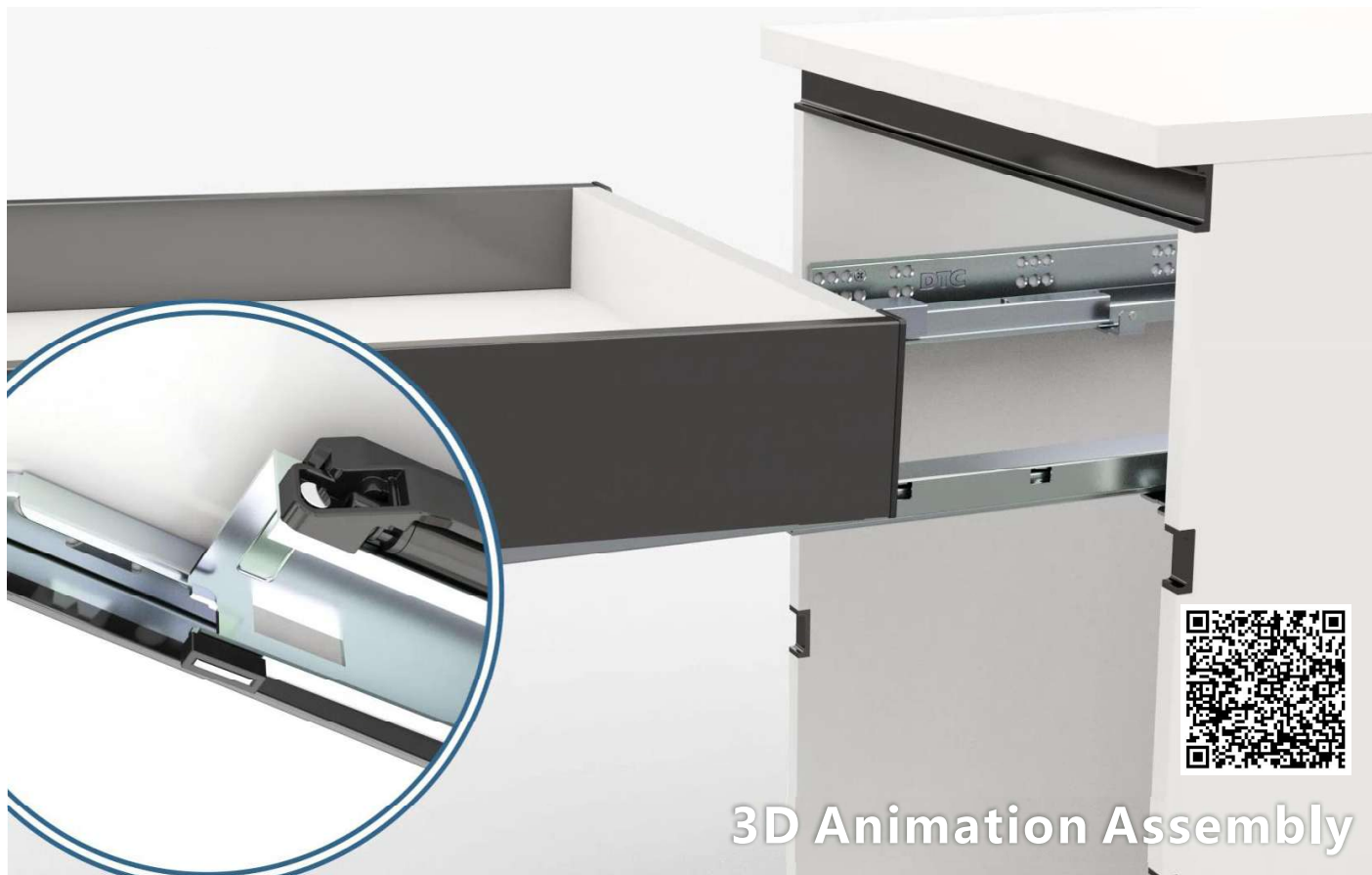
Living Room Application



Office Application



See how people enjoy using DTC products in real life!



3D Animation Assembly



Physical Assembly



Marking Template for Hinges



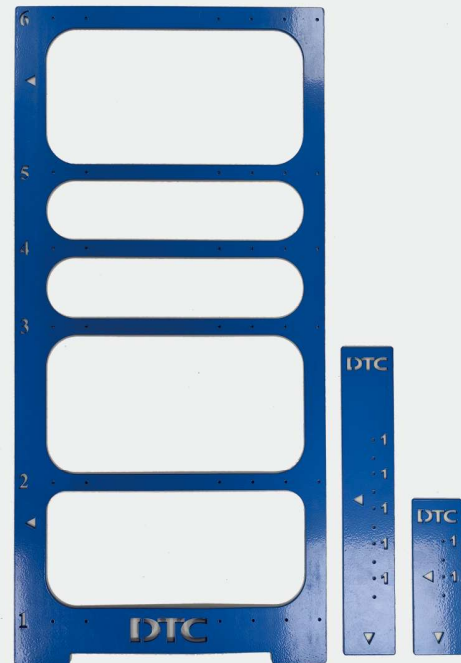
Marking Template for Slides



Drilling Jigs for Drawers

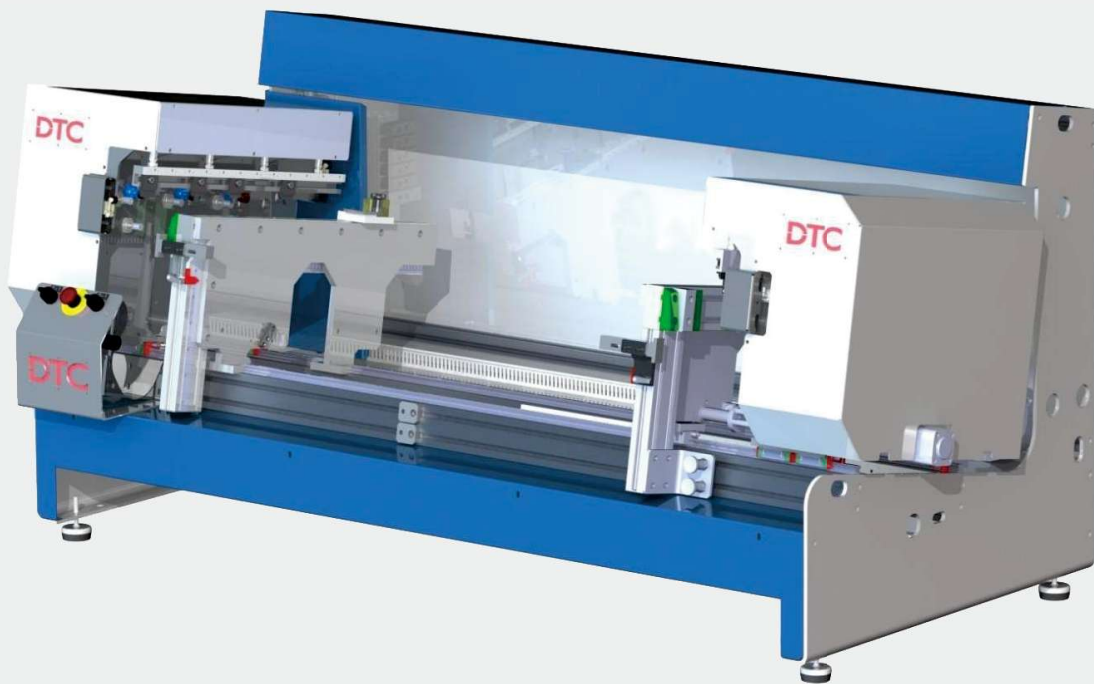


Drilling Jigs for Cabinets

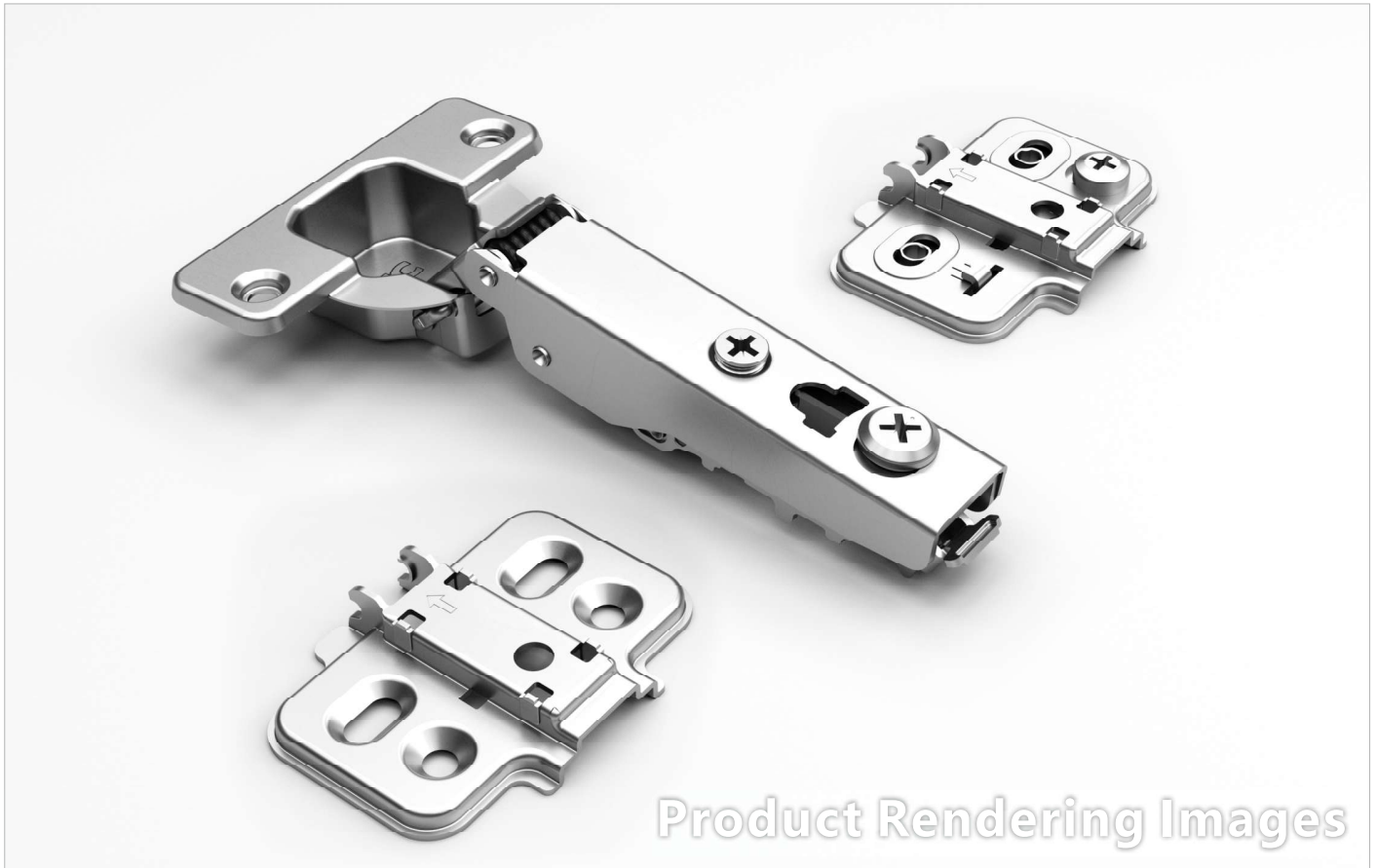


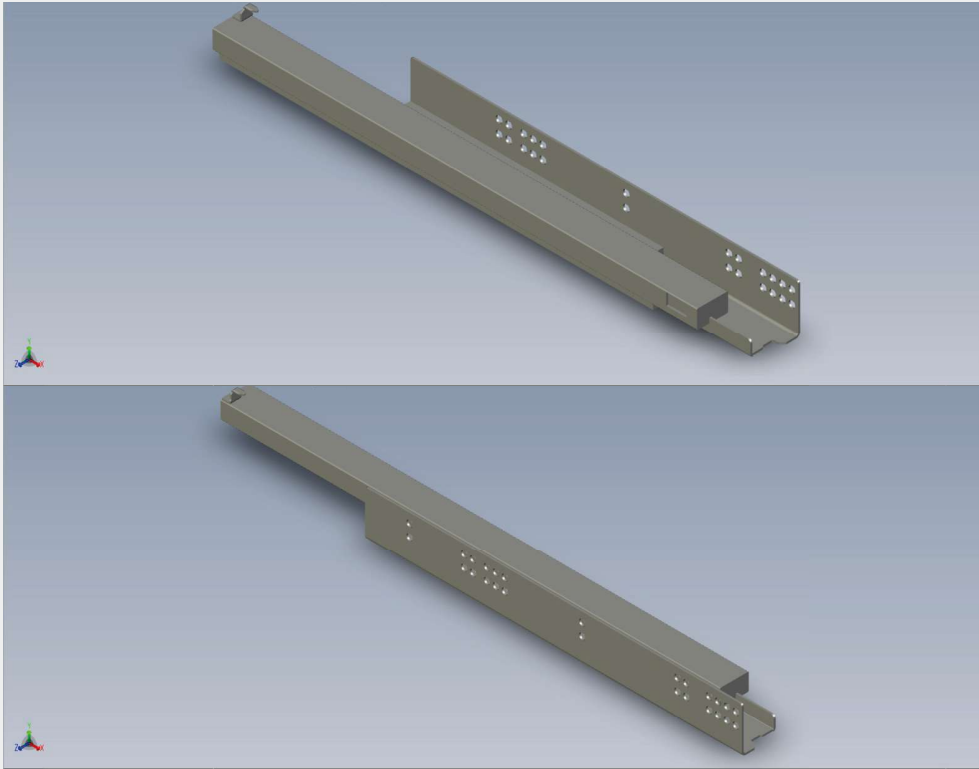
Assembly Tools

Assembly Devices for Drawer Systems

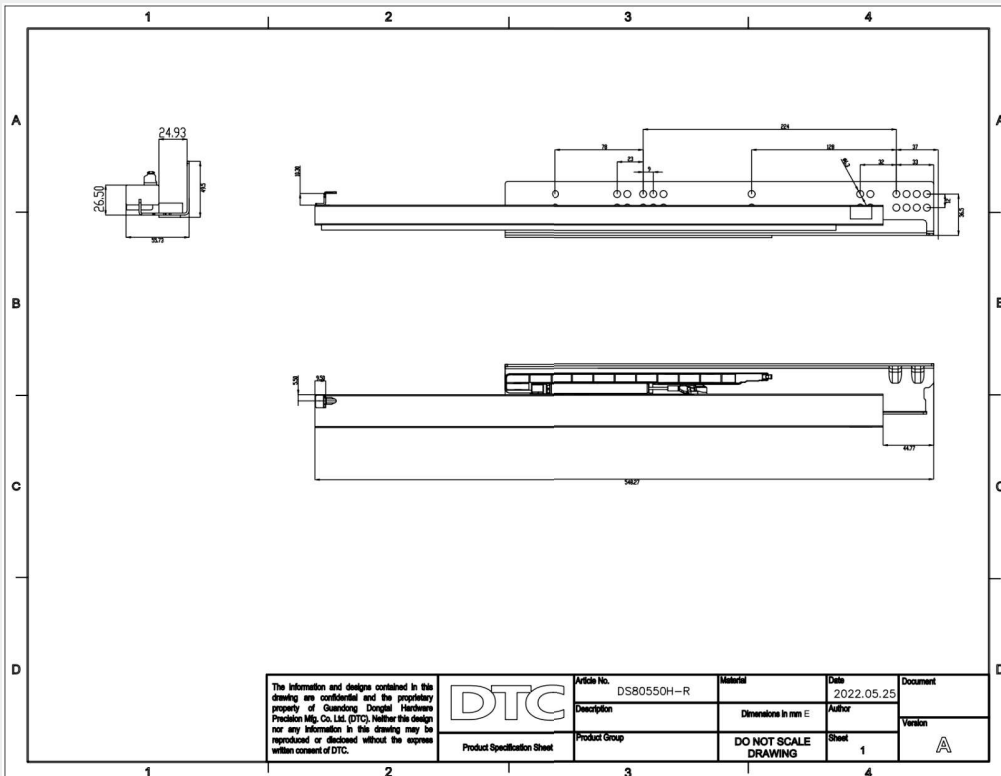


Assembly Devices





3D Drawings



2D Drawings

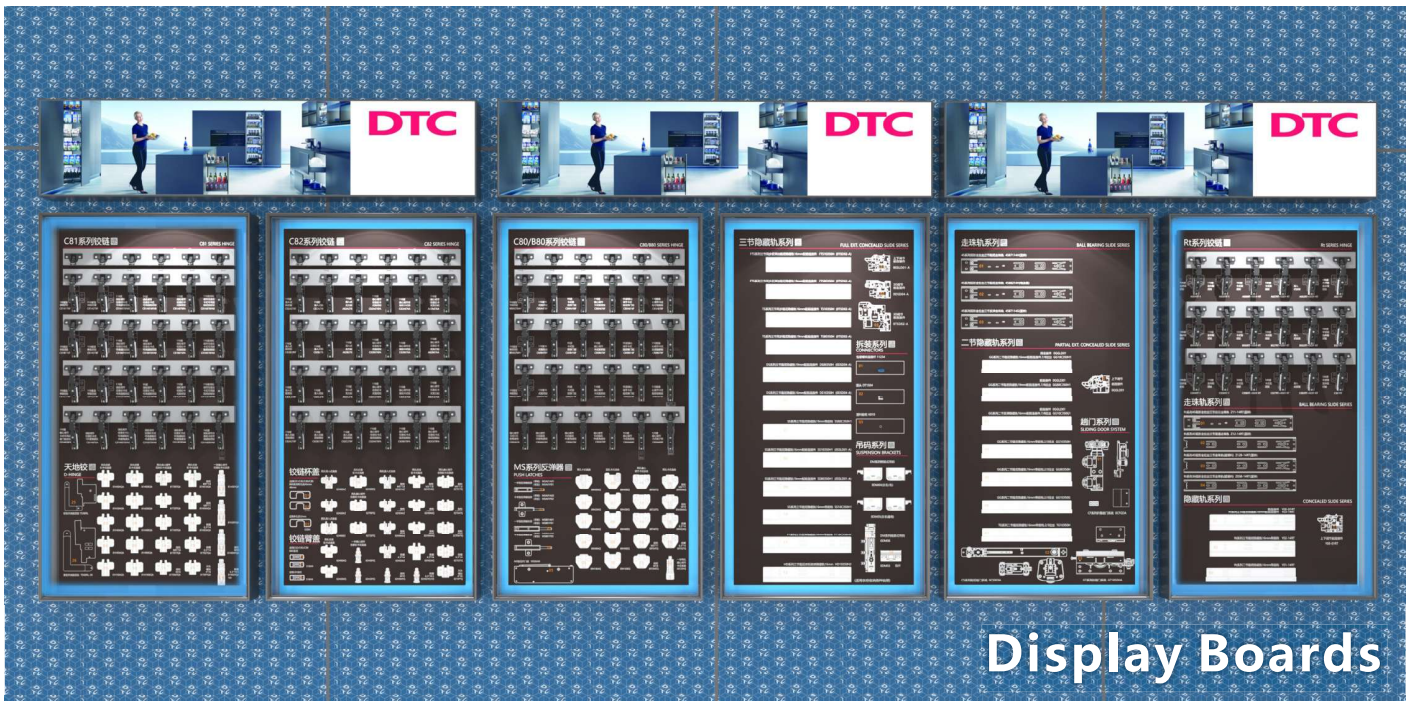
Display Units



DTC
Global Quality Benchmark



Comprehensive Display Units



Display Boards



View how the display cabinets are like in action!

Display Units



DTC
Global Quality Benchmark



View how the display cabinets are like in action!